

Digitilt Inclinometer Probe



Advantages

Proven Performance: Digitilt inclinometer probes have earned a world-wide reputation for durability, high precision, and rapid response.

Repeatable Tracking: To ensure consistent tracking in all types of casing, the probe is equipped with robust wheel carriages, sealed wheel bearings, and specially designed wheels.

Extended Installation Life: The compact size of the Digitilt probe allows it to pass through small radius curves, extending the useful life of the installation beyond that provided by other inclinometer probes.

Computerized Testing: Each probe undergoes thorough testing on a computerized calibration table.

Reliable Control Cable: Digitilt control cable is durable and easy to handle, stays flexible in cold weather, resists chemicals and abrasion, and provides excellent dimensional stability. Flexible rubber depth marks are permanently vulcanized to the cable jacket. The marks cannot loosen and have no rigid edges that can damage the cable jacket and conductors.

Consistent Depth Control: The pulley assembly, a recommended accessory, helps the operator achieve uniform depth control. The one-way action of its cable clamp ensures consistent positioning of the probe.

Complete Solutions: Slope Indicator's inclinometer system includes high-quality casing, vertical and horizontal traversing probes, vertical and horizontal in-place sensors, recording readouts, graphing software, and specialized accessories.

Applications

Digitilt® inclinometers are used to monitor subsurface movements of earth in landslide areas and deep excavations. They are also used to monitor deformations in structures such as dams and embankments.

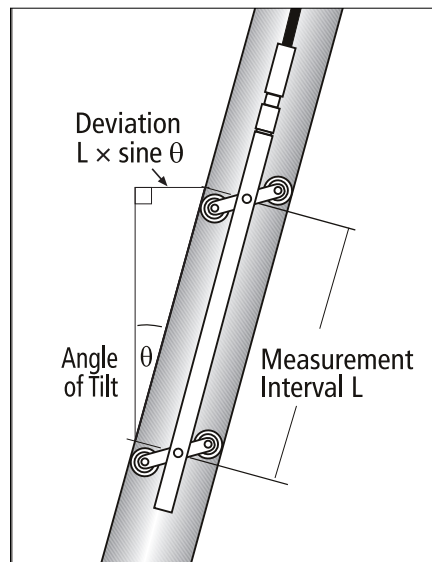
Operation

Inclinometer casing is typically installed in a vertical borehole that passes through suspected zones of movement into stable ground. The Digitilt inclinometer probe, control cable, pulley assembly, and readout are used to survey the casing. The first survey establishes the initial profile of the casing. Subsequent surveys reveal changes in the profile if ground movement occurs.

During a survey, the probe is drawn upwards from the bottom of the casing to the top, halted in its travel at 0.5 m or 2' intervals for tilt readings. The inclination of the probe body is measured by two force-balanced, servo-accelerometers. One accelerometer measures tilt in the plane of the inclinometer wheels, which track the longitudinal grooves of the casing. The other accelerometer measures tilt in the plane perpendicular to the wheels.

Inclination measurements are converted to lateral deviations, as shown in the drawing below. Changes in deviation, determined by comparing current and initial surveys, indicate ground movement.

Plotting changes in deviation yields a high resolution displacement profile. Displacement profiles are useful for determining the magnitude, depth, direction, and rate of ground movement.



DIGITILT INCLINOMETER PROBE

Metric-Unit Probe50302510
English-Unit Probe50302500

Digitilt inclinometer probe includes a carrying case and instruction manual. Control cable, pulley, and readout are not included.

METRIC PROBE SPECIFICATIONS

Wheel base: 500 mm.

Range: $\pm 53^\circ$ from vertical.

Resolution: 0.02 mm per 500 mm.

Repeatability: $\pm 0.01\%$ FS.

Calibration: 14 point calibration with NIST traceable calibration device.

Temperature Rating: -20 to +50 °C.

Dimensions: 25.4 x 653 mm. Control cable connector adds 92 mm to length of probe.

Weight: 1.8 kg.

Material: Stainless steel.

ENGLISH PROBE SPECIFICATIONS

Wheel base: 24".

Range: $\pm 35^\circ$ from vertical.

Resolution: 0.0012 inch per 24 inches.

Repeatability: $\pm 0.01\%$ FS.

Calibration: 14 point calibration with NIST traceable calibration device.

Temperature Rating: -4 to +122 °F.

Dimensions: 1 x 30". Control cable connector adds 3.75" to length of probe.

Weight: 4 lb.

Material: Stainless steel.

ACCURACY SPECIFICATIONS

Metric Systems: ± 0.25 mm per reading and ± 6 mm per 50 readings.

English Systems: ± 0.01 inch per reading and ± 0.3 inch per 50 readings.

These system accuracy specifications were derived empirically from the analysis of a large number of surveys and include both random and systematic errors introduced by casing, probe, cable, readout, and operator. Casing was installed within 3 degrees of vertical, and operators followed recommended reading practices.

When corrections for systematic error are made, the remaining error is random. It accumulates with the square root of the number of readings. Thus the best precision obtainable with a metric system is approximately ± 1.4 mm per fifty readings, and the best precision of an English unit system is approximately ± 0.05 inch per fifty readings.

CONTROL CABLE

30m Control Cable, Complete . . . 50601030

50m Control Cable, Complete . . . 50601050

100m Control Cable, Complete . . 50601100

100 ft Control Cable, Complete . . 50601002

150 ft Control Cable, Complete . . 50601003

300 ft Control Cable, Complete . . 50601004

Metric Cable, Custom Length . . . 50601010

English Cable, Custom Length . . . 50601000

Connector for Readout 50301800

Connector for Probe. 50303100

Control cables listed as complete are standard lengths of cable and include connectors. If you order a custom length cable, you must also order connectors.

Control cable is supplied with no splices or surface defects and has a rated strength of 480 lb and a working strength of 120 lb.

Metric cable is graduated with yellow 0.5-meter marks and red 1-meter marks. English cable is graduated with yellow 2-foot marks and red 10-foot marks.

Cable has a steel core wire to control stretching, a torsion braid to counter cable torque, a binder layer to eliminate slipping of cable jacket relative to the steel core, and depth marks that are vulcanized onto the cable jacket. The Neoprene cable jacket resists chemicals and abrasions and is flexible in cold temperatures.



PULLEY ASSEMBLY

Small Pulley 51104604

Large Pulley 51104606

Pulley assembly clamps onto top of casing to help operator control depth of probe. Cable clamp serves as reference for depth marks. Removable pulley wheel facilitates insertion of probe into casing.

Use small pulley with 48 or 70 mm (1.9 or 2.75") casing. Use large pulley with 70 or 85mm (2.75 or 3.34") casing.

READOUTS

Digitilt DataMate50310900

The Digitilt DataMate is a recording readout. The Digitilt 09 is a manual readout. See separate data sheets for details.

DUMMY PROBE

Metric Wheel Base50304810

English Wheel Base50304800

Reel & Line for Dummy Probe . . . 50304900

Dummy probe is used to test for casing continuity, groove continuity, and obstructions or severe distortions of casing that could hinder retrieval of Digitilt probe and control cable. Dummy probe is stainless steel and has dimensions and wheels identical to those of Digitilt probe.

Reel with 60 m (200') of nylon line is used to lower and retrieve dummy probe.



SLIP-RING REEL

200 m (650') capacity50503100

300 m (1150') capacity50503300

Slip-ring cable reel allows the readout to remain connected while the reel is operated. Includes jumper cable to connect reel to readout.

STORAGE REEL

30m (100') capacity.50502030

50 m (164') capacity50502050

100 m (360') capacity50502110

Sturdy storage reel with large diameter hub keeps cable neat when not in use.